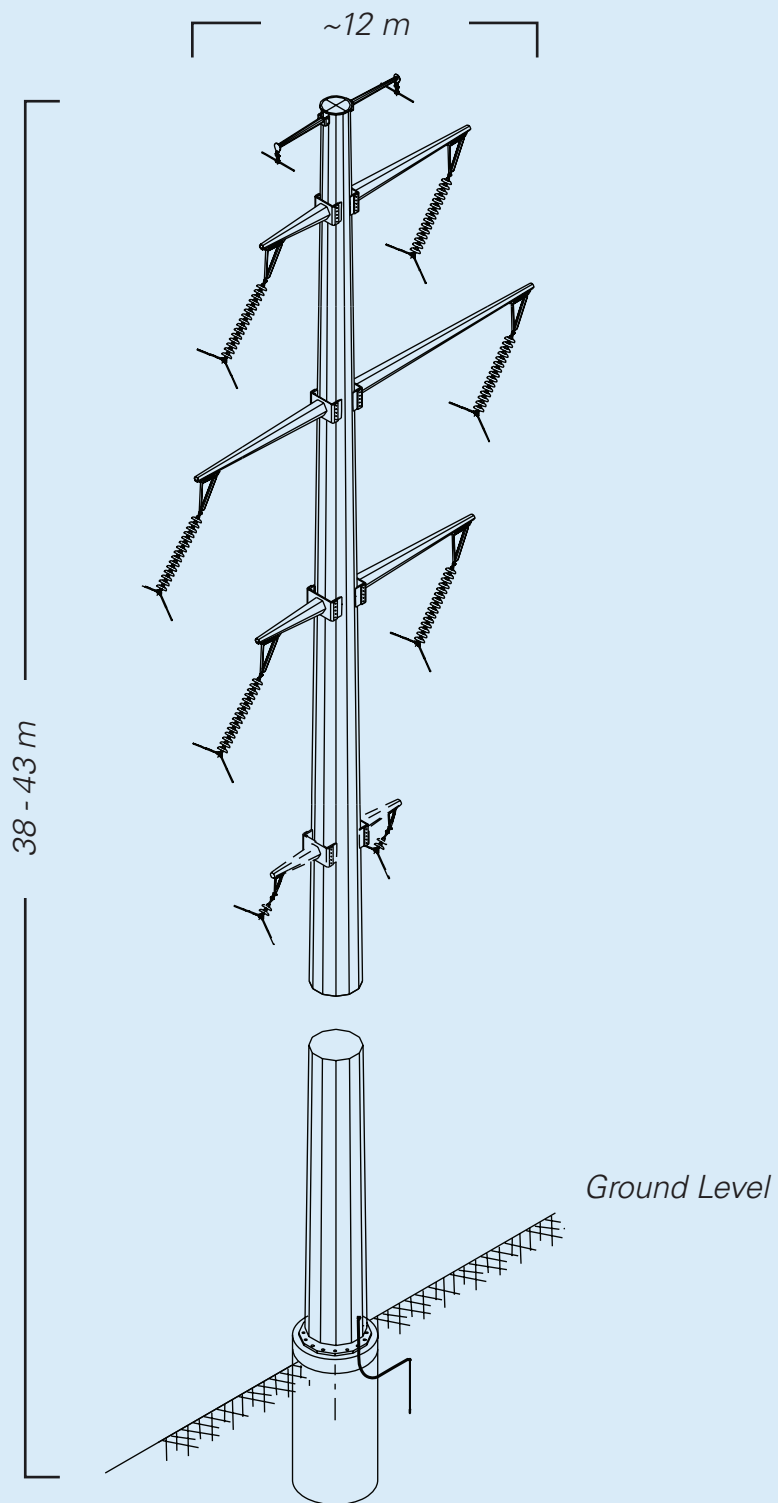
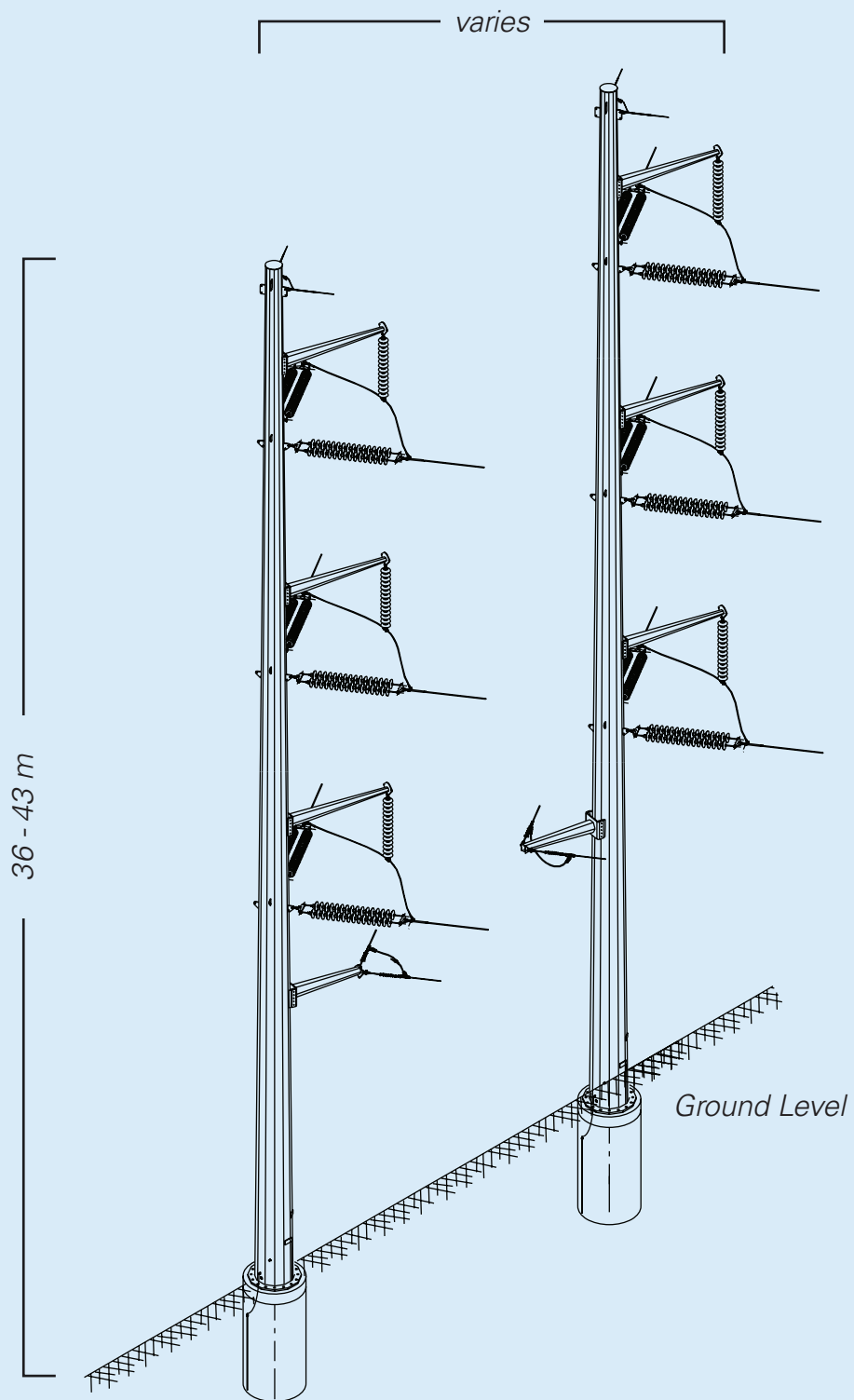


240 kV Double Circuit Steel Pole Suspension Angle



This image is not to scale

240 kV Corner Structure Two Pole Steel Dead End



This image is not to scale