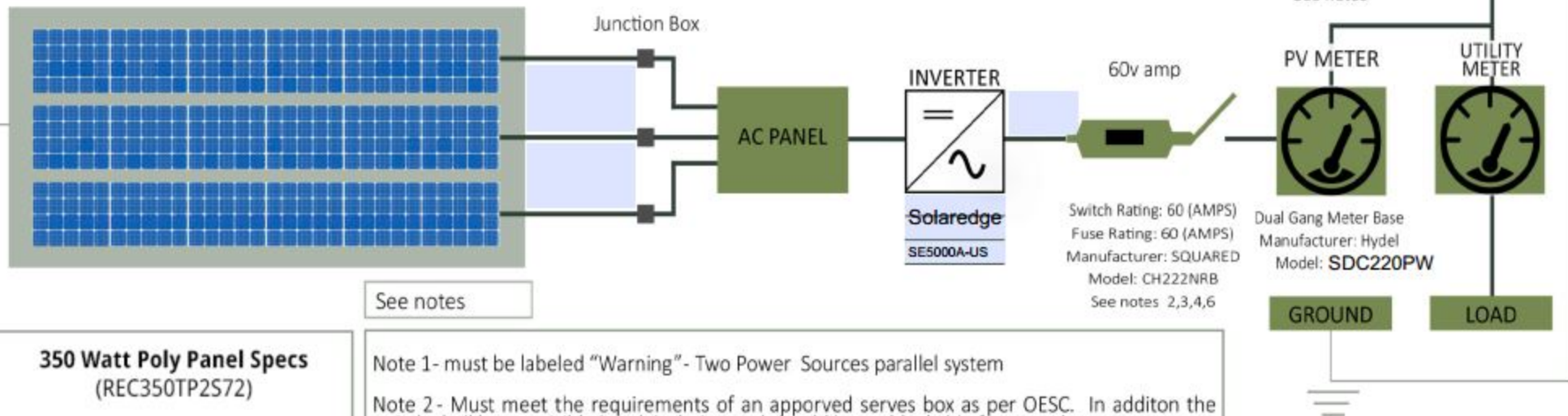


See notes



See notes

### 350 Watt Poly Panel Specs (REC350TP2S72)

#### Minimum Performance at Standard Test Conditions

Voltage at Nominal Power [V]\* : 30.74

Current at Nominal Power [A]\* : 8.46

Open Circuit Voltage [V] : 37.70

Short Circuit Current [A] : 9.07

\* typical values, actual values may differ

Note 1- must be labeled "Warning" - Two Power Sources parallel system

Note 2- Must meet the requirements of an approved service box as per OESC. In addition the switch shall have a visible break isolation and should be pad-lockable from outdoors

Note 3- Must be labeled "Distributed Generation System Disconnect - Warning - Two Power Sources and Maximum Fuse size of 60 amps

Note 4- Utility meter, generation meter and distributed generation disconnect switch must be mounted together on exterior wall of the house 1.7m to 2.1. above Grade as per EHM standing

Note 5- Configuration and voltage rating of the proposed meter must match the existing metering equipment

Note 6- Permanent SLD must be attached to the blank cell of the meter base and must follow Enersource Lamacoid/engraved SLD template

Note 7- Permanent Single Line Diagram must be attached to the blank cell of the meter base & must follow "Enersource Lamacoid/Engraved SLD Template"

Note 8- The existing equipment drawn on the schematic must be distinguishable from the proposed installation. The common coupling (PCC) must be clearly identified on the SLD